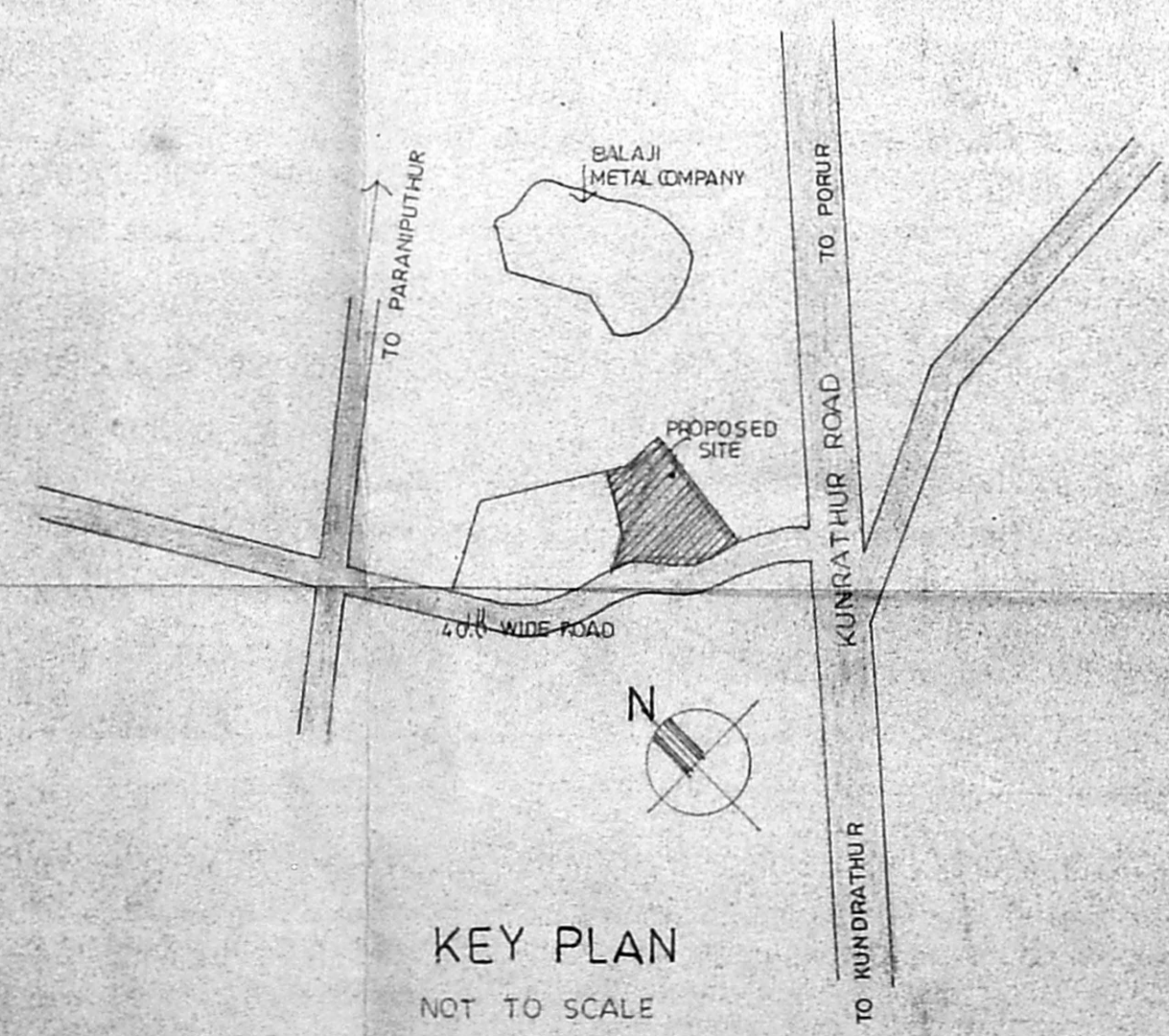
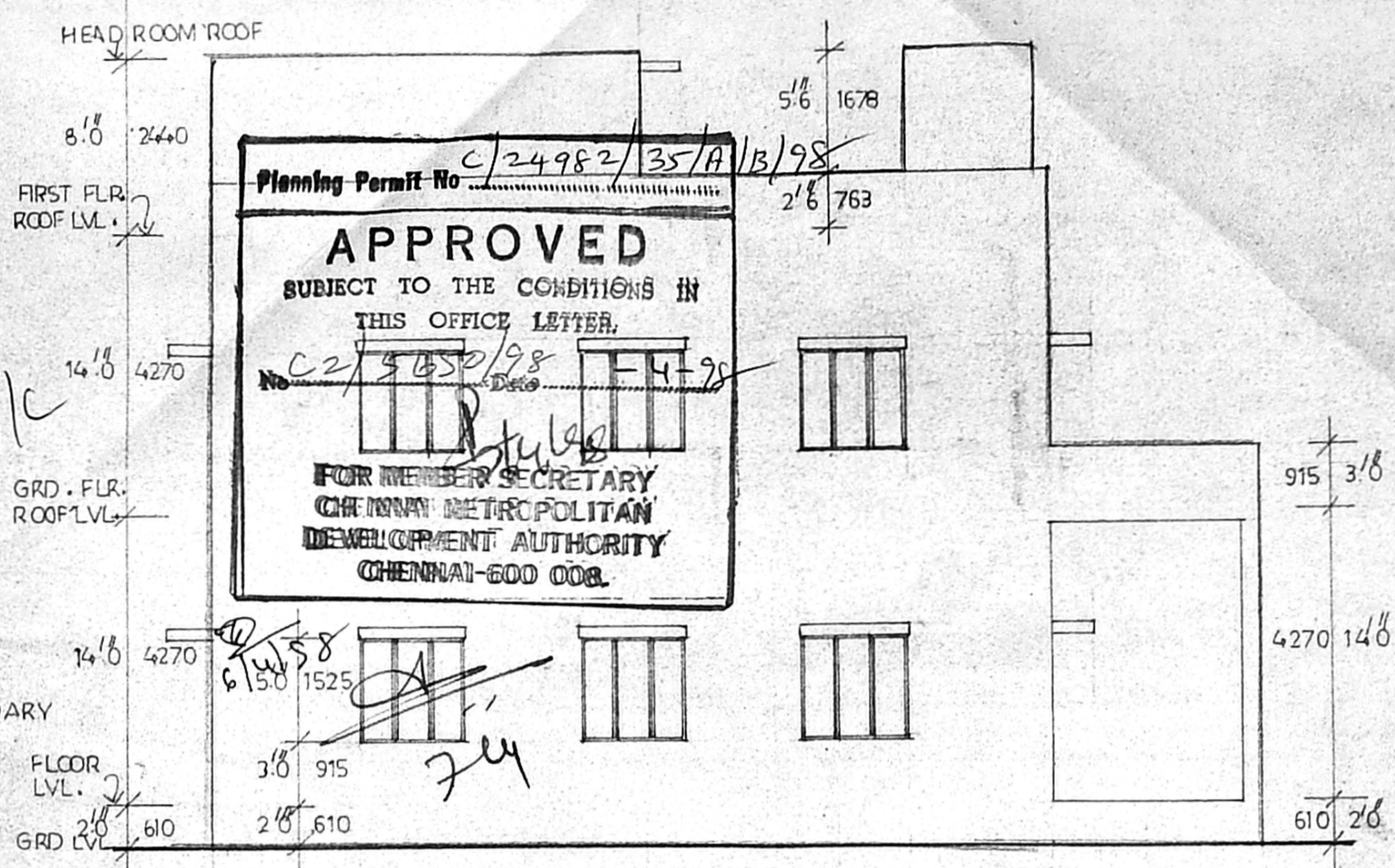


SITE PLAN  
SCALE: 1:200

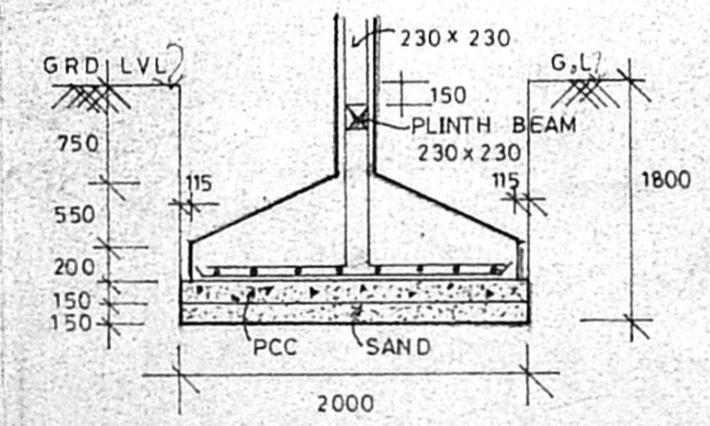


KEY PLAN  
NOT TO SCALE

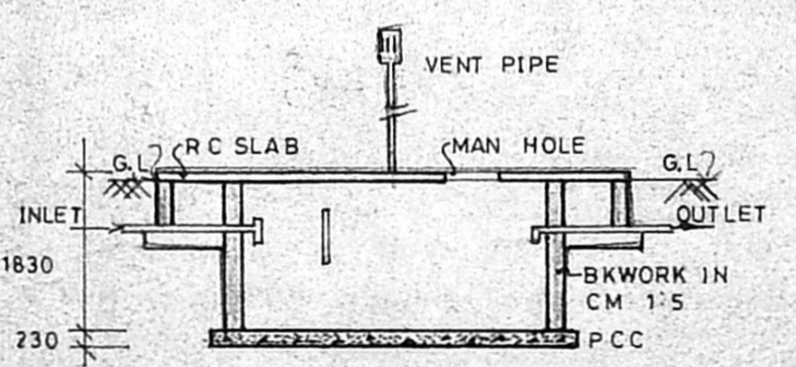


FRONT ELEVATION

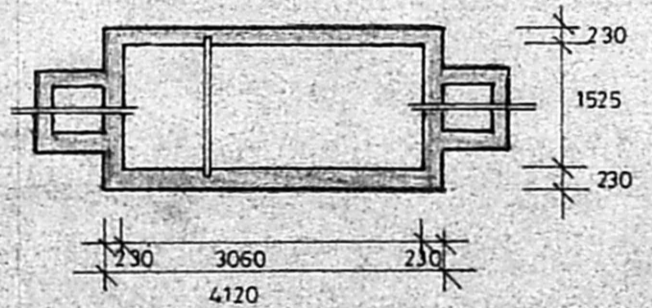
Planning Permit No C/24982/35/A/B/98  
**APPROVED**  
 SUBJECT TO THE CONDITIONS IN THIS OFFICE LETTER.  
 C/25050/98  
 FOR MEMBER SECRETARY  
 CHENNAI METROPOLITAN  
 DEVELOPMENT AUTHORITY  
 CHENNAI-600 008.



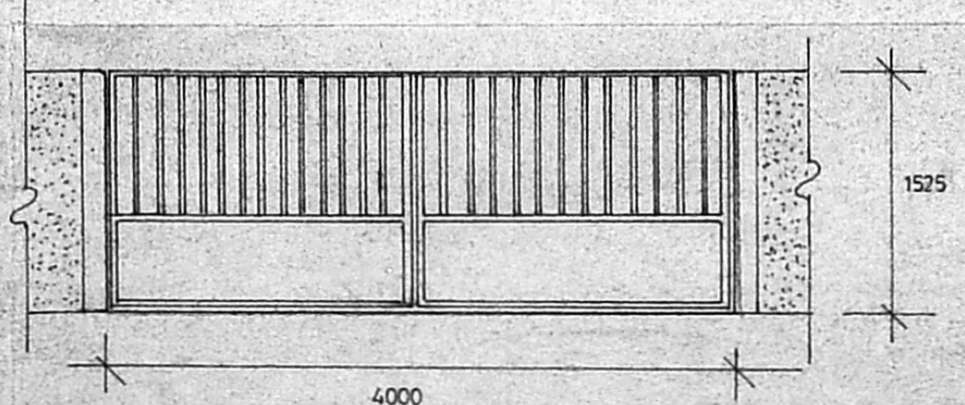
R.C. COLUMN FOOTING DETAIL (SCALE: 1:50)



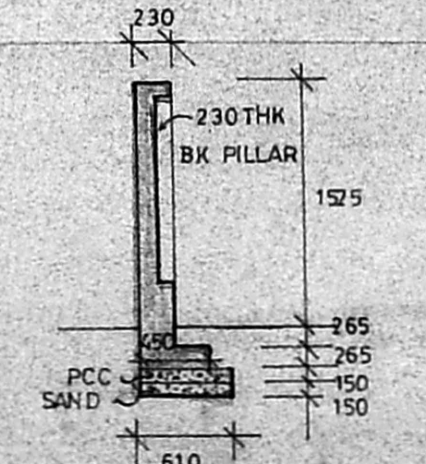
SECTION OF SEPTIC TANK



PLAN OF SEPTIC TANK



ELEVATION OF COMPOUND GATE (SCALE: 1:50)



SECTION OF COMPOUND WALL

NOTE: ALL DIMENSIONS ARE IN FEET & M.M.

SCHEDULE OF JOINERY			
TYPE	DESCRIPTION	WIDTH	HEIGHT

SPECIFICATION	
FOUNDATION	R.C.C. COLUMN FOOTING 1:2:4 WITH SAND & P.C.C. 1:4:8. 6" THK.
SUPER STRUCTURE	9" (230), 4" (115) THK BRICK WALL IN CM 1:5 (1 OF CEMENT AND 5 OF SAND)
LINTEL, SUNSHADE	1:2:4 (1 OF CEMENT, 2 OF SAND & 4 OF STONE AGG)
ROOF SLAB	1:2:4 ( DO )
DOORS / WINDOWS	WOODEN FRAME & SHUTTER FOR DOORS / STEEL FRAME & GLAZED SHUTTER FOR WINDOWS
PLASTERING	CEILING AND BEAMS IN CM 1:3 INTERIOR AND EXTERIOR IN CM 1:4
FLOORING	MOSAIC FLOORING
WEATHERING COURSE	12 MM THK. PRESSED CLAY TILES OVER LIME CONCRETE 1:3 (1 OF LIME, 3 OF BRICK AGGREGATE) LAID TO SLOPE POINT WITH NECESSARY C.M. 1:3 WITH CRUDE OIL 5% WEIGHT OF CEMENT
PAINTING	EXTERIOR WITH CEMENT PAINT & INTERIOR WITH DRY DISTEMPER

AREA STATEMENT	
PLOT AREA.	983.24 M <sup>2</sup> (24.29 CENT)
PRO. GRD. FL. AREA.	370.01 M <sup>2</sup>
PRO. I FL. AREA.	322.49 M <sup>2</sup>
TOTAL AREA.	692.5 M <sup>2</sup>
PLOT COVERAGE =	37.6%
F.S.I. =	0.7

COLOUR CODE REFERENCE	
PROPOSED WORK	
EXISTING ROAD	
BOUNDARY LINE	
SEWER LINE	
WATER LINE	
DEMOLISHED WORK	

DIRECTOR,  
 ALPHA DETERGENTS PVT. LTD.  
 SIGNATURE OF OWNER

D. KAMESWARAN, BE, P.D. ARCH, A.I.I.A., M.C.A.,  
 SIGNATURE OF LICENSED ARCHITECT. RA113, CA.16748/94.

PROPOSED FACTORY BUILDING IN  
 S. NO:156/1B, V. NO: 57,  
 GERUGAMBAKKAM,  
 SRIPERUMPUDUR TALUK, CHENGAI  
 MGR DIST. FOR ALPHA DETERGENTS

JOB NO : 10	DRG. NO : CD.2
DATE :	SCALE : 1/8" (1:10)
DESIGN : DK.	DRAWN :

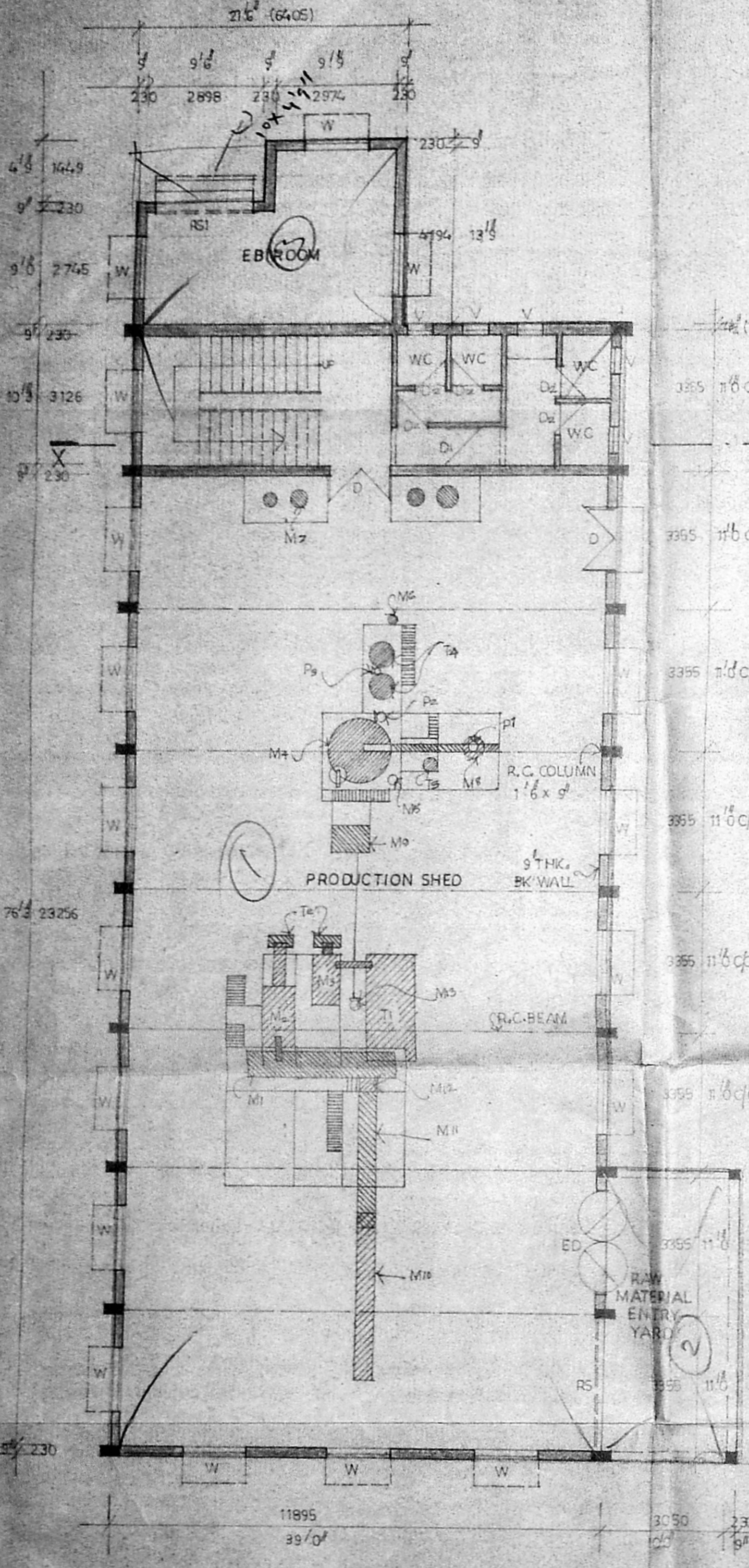
CORPORATION DRAWING  
 A.D.KAMASHWARUN AARCH CONSORTIUM  
 ARCHITECTS, ENGINEERS AND INTERIOR DESIGNERS.  
 NO:38, 7th AVENUE, ASHOKNAGAR, CHENNAI 63. PH:4897130.



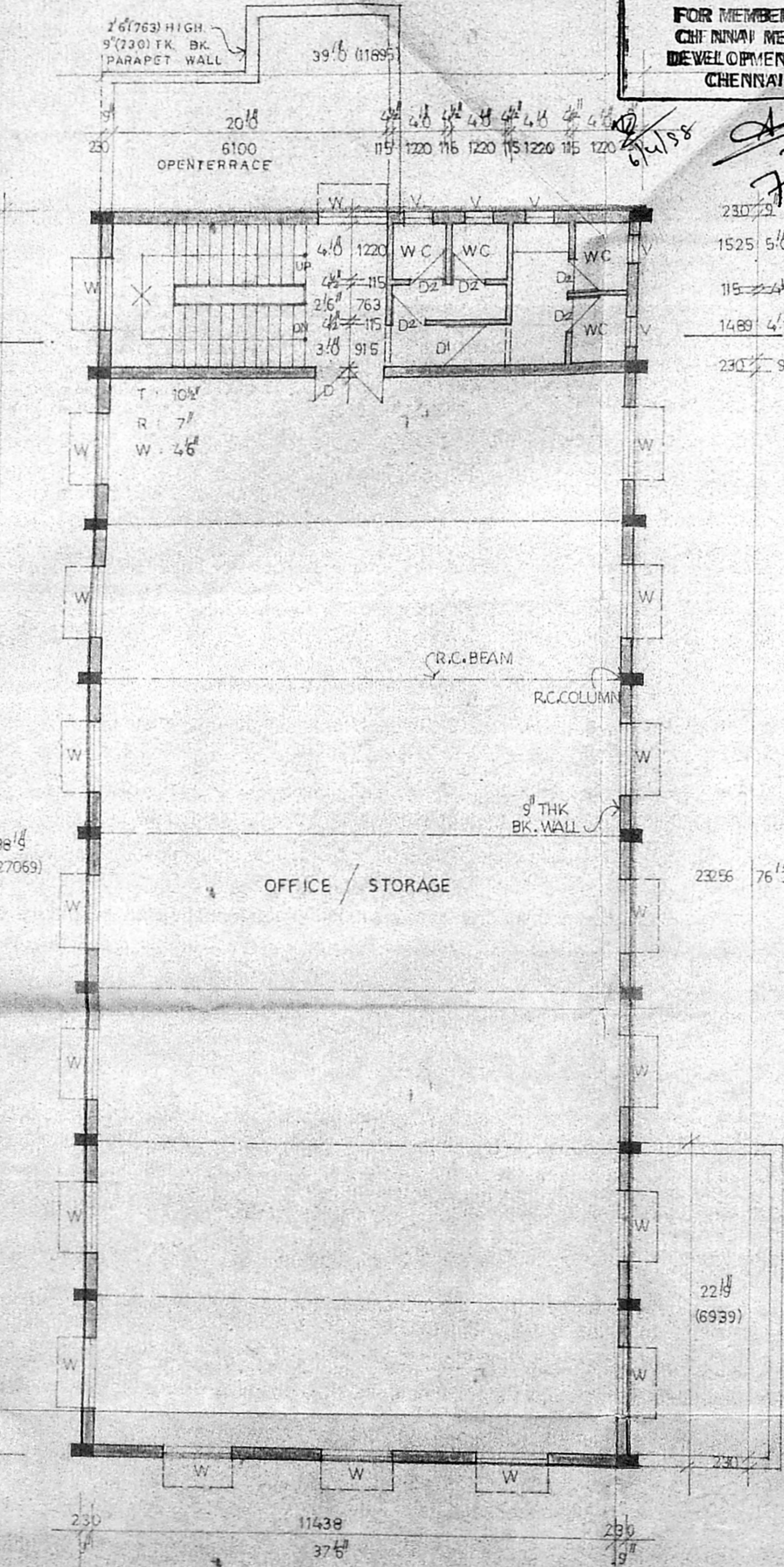
olc

Planning Permit No C/24982/25/B/B/S/S

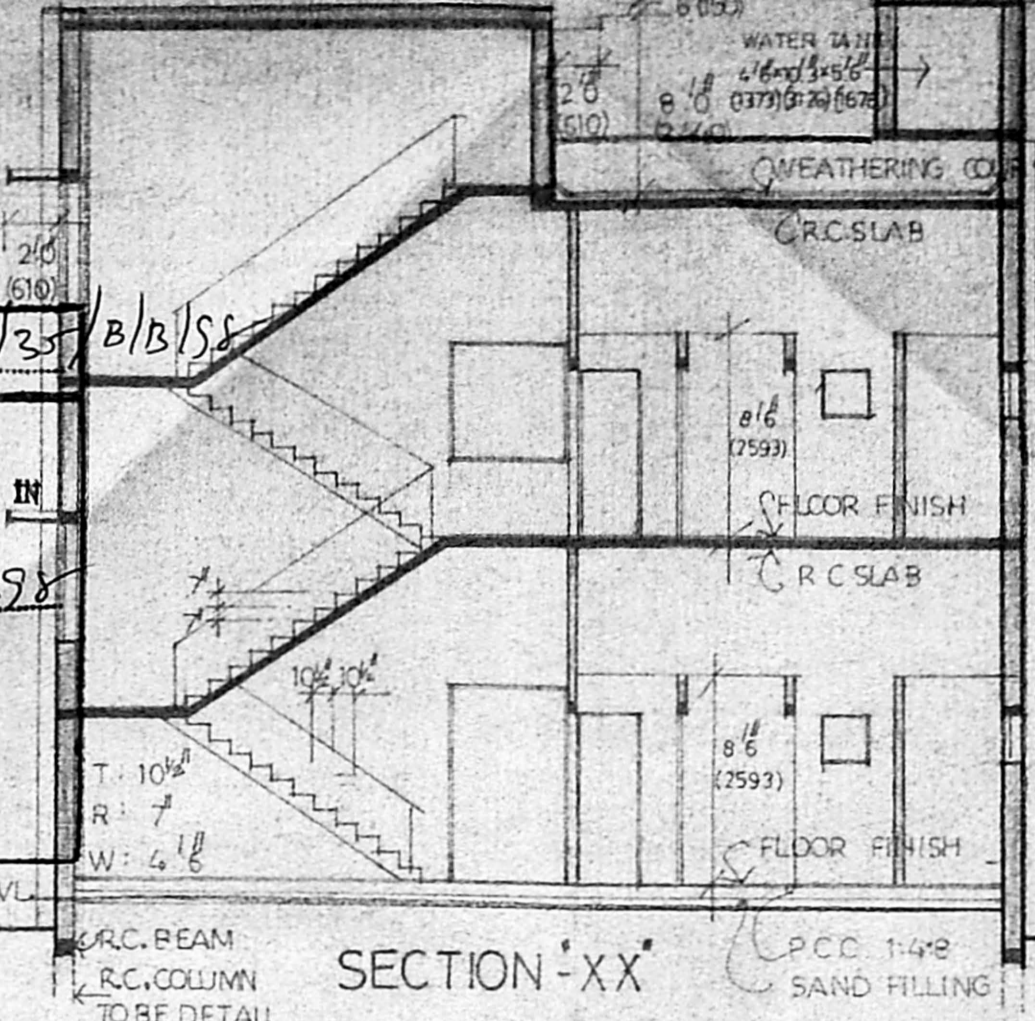
**APPROVED**  
 SUBJECT TO THE CONDITIONS IN THIS OFFICE LETTER.  
 No. C2/5652/98 Date - 4.9.88  
 FOR MEMBER SECRETARY  
 CHENNAI METROPOLITAN DEVELOPMENT AUTHORITY  
 CHENNAI-600 008.



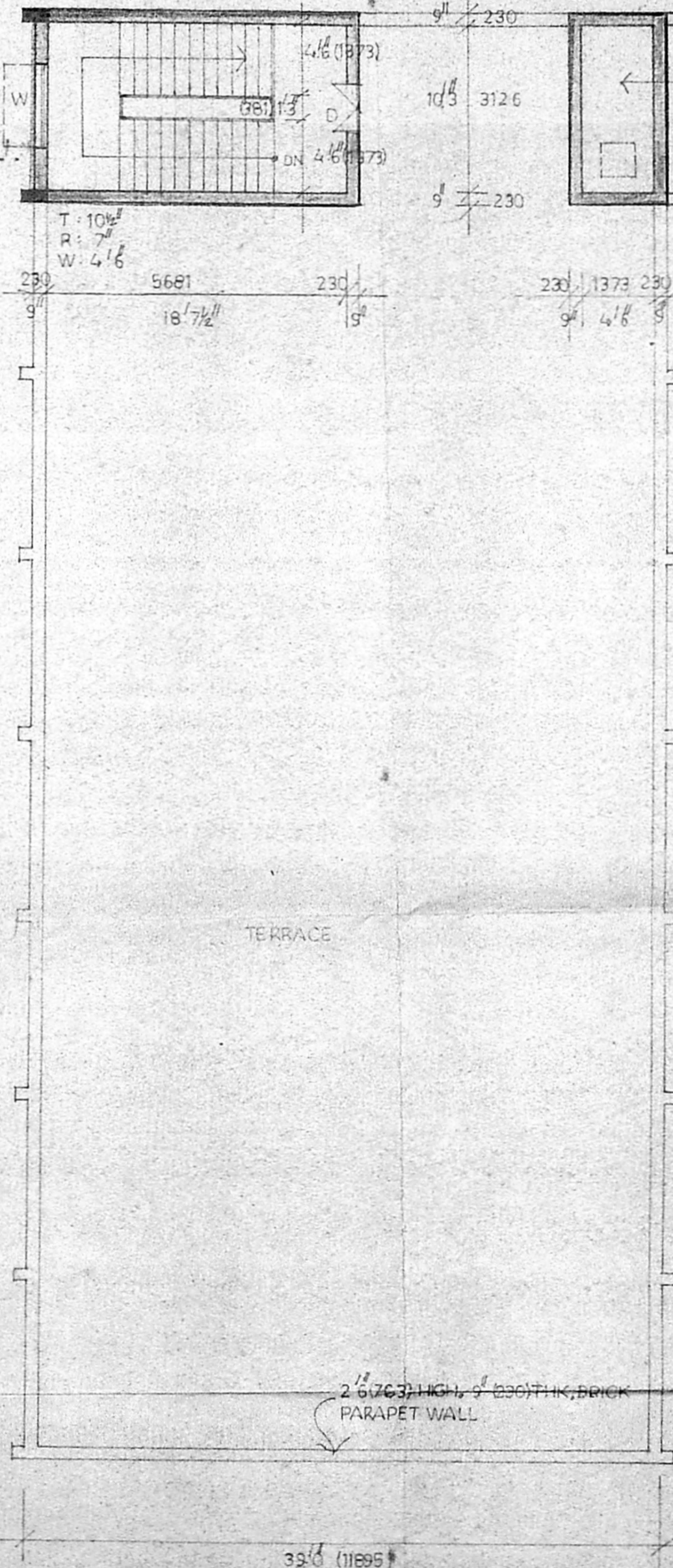
GROUND FLOOR PLAN CUM MACHINERY LAYOUT



FIRST FLOOR PLAN



SECTION 'XX'



TERRACE PLAN

SCHEDULE OF JOINERY

TYPE	DESCRIPTION	WIDTH	HEIGHT
RS	ROLLING SHUTTER	10'3" (3126)	8'0" (2440)
D	DOOR	5'0" (1525)	8'0" (2440)
D1	DOOR	3'0" (915)	7'0" (2135)
D2	DOOR	2'6" (763)	7'0" (2135)
W	WINDOW	5'0" (1525)	5'0" (1525)
V	VENTILATOR	2'0" (610)	2'0" (610)
ED	ENTRANCE DOOR	8'0" (2440)	8'0" (2440)
RS1	ROLLING SHUTTER	8'0" (2440)	8'0" (2440)

CMDA 'C' / PP No. 1 / MACHINERY DETAIL (03.2.88)

TYPE	ASST. DESCRIPTION	POWER
M1	SEARCH HEATER	2.0 HP
M2	HEAT EXCHANGER	7.5 HP
M3	PART	5.0 HP
M4	PART HOR. CUM COOKER	2.0 HP
M5	OIL PREHEATER	0.5 HP
M6	FINISHED PRODUCT WARMER	2.0 HP
M7	VENTILATOR	0.5 HP
M8	VAPOUR COOLING TOWER	22.5 HP
M9	HOMOGENISER	15.0 HP
M10	FRUIT WASHING MACHINE	2.0 HP
M11	ELEVATOR	2.0 HP
M12	CHOPPER	3.0 HP
M13	PULP PUMP	2.0 HP
P1	WELL WATER TO SINTEX TANK	13.0 HP
P2	COOKER PULP TO STORAGE TANK	2.0 HP
P3	FINISHED PRODUCT TO PACKAGING	2.0 HP
T1	PULP TANK	2.0 HP
T2	RESIDUE COLLECTION TANK	-
T3	VEG. OIL TANK	-
T4	FINISHED PRODUCT TANK	2.0 HP
	PRODUCTION SHED, OFFICE LIGHTING & A.C.'S	15.0 HP
	YARD LIGHT	5.0 HP
	NUMBER OF WORKERS - 25	107.0 HP

COLOUR CODE REFERENCE

PROPOSED WORK

DIRECTOR,  
 ALPHA DETERGENTS PVT LTD.  
 SIGNATURE OF OWNER

*D.Kameswaran*  
 D.KAMESWARAN, BE, PD, ARCH, AIAA, M.C.A.  
 SIGNATURE OF LICENSED ARCHITECT. RA-113, CA 16748/94

PROPOSED FACTORY BUILDING IN  
 S.NO: 156/1B, V.NO: 57,  
 GERUGAMBAKKAM,  
 SRIPERUMPUDUR TALUK, CHENGAI -  
 MGR. DIST. FOR ALPHA DETERGENTS.

JOB NO : 10      DRG NO : CD-1  
 DATE :              SCALE : 1/80 (1:100)  
 DESIGN : OK      DRAWN : JK

CORPORATION DRAWING

A.D.KAMASHWARUN AARCH CONSORTIUM.  
 ARCHITECTS, ENGINEERS AND INTERIOR DESIGNERS.  
 NO.38, 7th AVENUE, ASHOK NAGAR, CHENNAI-63. Ph: 4897130.

NOTE - ALL DIMENSIONS ARE IN FEET & M.M.